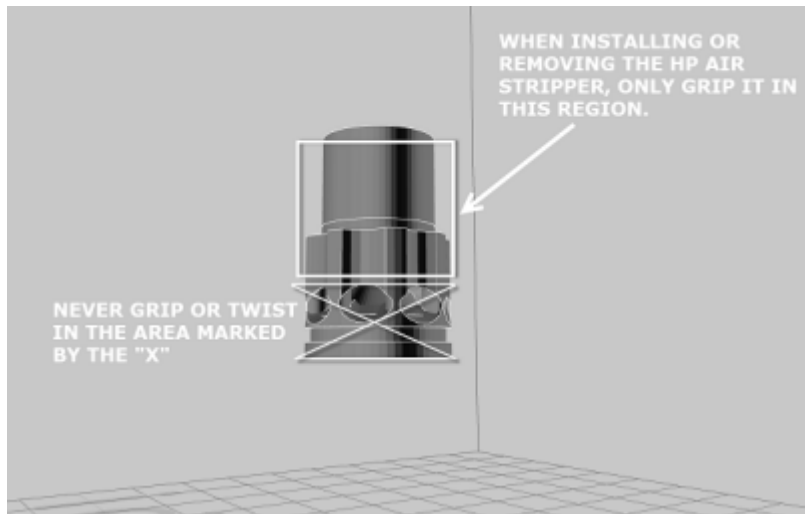


## HP Air Stripper for the Umarex Gauntlet

When installing and removing the HP Air Stripper, you want to twist it on and twist it off but only grip the stripper on the rear shoulder as shown in the below photo.



Because of the multiport forward end, it will not be able to withstand high amounts of torque or lateral forces. When removing your barrel shroud turn the shroud as you remove it and never cock or bend the shroud which will apply undue stress on the air stripper and break it. Be sure to apply silicone lube to the inside of the shroud and o-rings to assist in the installation.

Because of loose manufacturer tolerances the diameter of the Umarex Gauntlet barrel will vary in size so I have designed my HP Air Stripper to fit a nominal size. In some cases it will fit a bit loose but in most installs it will fit snug as it should. If you find that the HP Air Stripper is slipping on way to easy, simply apply one layer of non over lapping cellophane tape or 2 wraps of Teflon thread tape around the end of the barrel and the HP Air stripper should fit snug. The cellophane or Teflon should slightly overhang the end of the barrel and will not harm the barrel in any way.

Thank you

Hajimoto

HajimotoProductions.Com

[Hajimoto@HajimotoProductions.com](mailto:Hajimoto@HajimotoProductions.com)